

DEVELON

Wheel Loader

DL550-7



Engine

Make	Scania
Model	DC13
Number of cylinders	6
Rated power, gross (hp per SAE J1995)	380 hp (283.37 kW) @ 1800 rpm
Rated power, net (hp per SAE J1349)	380 hp (283.37 kW) @ 1800 rpm
Max. torque, net (SAE J1995)	1302 lbf.ft. (180 kgf.m) @ 1200 rpm
Displacement	775 in. ³ (12.7 L)
Bore and stroke	5.1 in. x 6.3 in. (130 mm x 160 mm)
Starter	24 V, 8.6 hp (6.0 kW)
Battery (qty 2)	2 x 12 V, 200 AH
Alternator	28 V, 100 amp
Air cleaner	Double elements

Hydraulics

Main pumps	55.5 gpm (210 L/min.)
System pressure (work)	3626 psi (250 bar)
System pressure (steer)	3118 psi (215 bar)
Boom speed – up	6.3 sec
Boom speed – down	3.4 sec
Bucket speed – crowd	1.2 sec
Bucket speed – dump	1.7 sec

Travel Speeds

Travel speed – forward (4)	3.79 / 7.3 / 11.5 / 23.18 mph (6.1 / 11.8 / 18.5 / 37.3 km/h)
Travel speed – forward (5) (US15 package only)	3.9 / 7.5 / 12.1 / 16.9 / 24.9 mph (6.2 / 12.1 / 19.4 / 27.2 / 40.0 km/h)
Travel speed – reverse (3)	3.7 / 7.3 / 15.9 mph (6.0 / 11.8 / 25.6 km/h)
Max. grade	58% (30°)

Environment

Sound level (2000/14/EC)	111 dB(A)
Cabin sound level (ISO 6396)	73 dB(A)

Refill Capacities

Fuel tank	116.5 gal. (441 L)
DEF tank	15.85 gal. (60 L)
Cooling system (radiator capacity)	14.27 gal. (54 L)
Engine oil	11.9 gal. (45 L)
Transmission	17.7 gal. (67 L)
Front axle	16.5 gal. (62.5 L)
Rear axles	16.9 gal. (64 L)
Hydraulic system	63.93 gal. (242 L)

Hydraulic Cylinders

Steering (2) bore x rod diameter x stroke	4.3 in. x 2.4 in. x 18.3 in. (110 mm x 60 mm x 465 mm)
Lift arm (2) bore x rod diameter x stroke	7.5 in. x 4.1 in. x 35 in. (190 mm x 105 mm x 890 mm)
Bucket (1) bore x rod diameter x stroke	8.5 in. x 5.1 in. x 23.8 in. (215 mm x 130 mm x 605 mm)

The piston rods and cylinder bodies are made of high-strength steel. A shock-absorbing mechanism is fitted in at the base and rod end of the lift and bucket cylinders and the rod end of the steering cylinders to ensure shock-free operation and extended piston life.

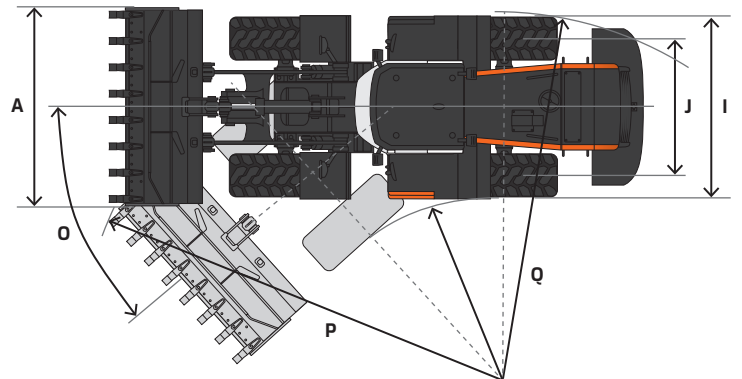
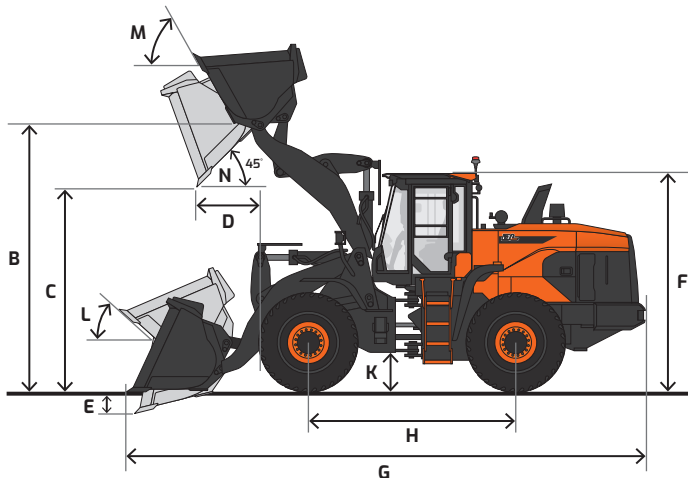
Dimensions

		Standard Arm	High-Lift
Bucket capacity, heaped ISO/SAE		6.8 yd ³ (5.2 m ³)	
Bucket width	A	11' 2" (3405 mm)	
Max. hinge pin height	B	15' 7" (4765 mm)	17' 1" (5220 mm)
Dump height (45°) – fully raised	C	11' 3" (3450 mm)	12' 9" (3903 mm)
Dump reach (45°) – fully raised	D	4' 4" (1345 mm)	5' 0" (1537 mm)
Digging depth	E	3" (100 mm)	5" (125 mm)
Overall height, ROPS cabin	F	12' 7" (3845 mm)	
Overall length	G	32' 5" (9895 mm)	33' 3" (10145 mm)
Wheel base	H	12' 1" (3700 mm)	
Width at tires	I	11' 2" (3405 mm)	
Tread width	J	7' 11" (2420 mm)	
Ground clearance	K	1' 6" (470 mm)	
Max. tilt angle on ground		43°	
Max. tilt angle at carry position	L	48°	51°
Max. tilt angle at fully raised	M	66°	62°
Max. dump angle at fully raised	N	46°	
Max. steering angle	O	40°	
External turning radius, bucket edge	P	24' 6" (7490 mm)	25' 6" (7762 mm)
External turning radius, outside tire	Q	21' 11" (6675 mm)	
Tire size		29.5R25 – L3	
Operating weight		71390 lb. (32380 kg)	70599 lb. (32020 kg)
Static tipping load (straight)		53273 lb. (24164 kg)	41092 lb. (18639 kg)
Static tipping load (at full turn)		47042 lb. (21338 kg)	36288 lb. (16460 kg)
Breakout force		56202 lbf. (250 kn)	54853 lbf. (245 kn)

Front Lift Arm Configuration

Standard: US11, US50, US51

High-Lift: US20, US21



Standard & Optional Equipment

Standard Base Package, US10

■ Standard ● Optional – N/A

Engine

Emissions, T4 (EPA)	■
High-pressure common-rail (HPCR)	■
Turbo, variable geometry (VGT)	■
Cooled exhaust gas recirculation (CEGR)	■
Diesel oxidation catalyst (DOC)	■
Selective catalyst reduction (SCR)	■
Diesel exhaust fluid (DEF)	■
Fuel filter with water separator	■
Coolant recovery tank	■
Dual element dry-type air filter with evacuator	■
PreCleaner	■
Electronic engine control (ECU)	■
Auto idle (working to standby)	■
Auto shutdown (time adjustable)	■
Overheat & low oil pressure engine protection	■
Cooling fan – radiator, variable speed	■
Cooling fan – radiator, automatic reversible	■
Remote drain port – engine oil	■
Block heater (110 V)	●

Hydraulic

Variable displacement axial piston pump	■
Closed-center system	■
Main control valves, pilot	■
Main control valves, electric	–
Remote test ports	■
Remote drain port, hydraulic oil	■
Spring-applied hydraulic release brake	■
Auxiliary hydraulics (3rd valve)	■
Auxiliary hydraulic detent (EMCV only)	–
Automatic boom/lift kick-out, adjustable (in cab)	■
Automatic return-to-dig position, adjustable	■
Boom float	■
Load isolation system	●

Electrical

System voltage – 24 V	■
Alternator – 28 V, 100 amp	■
2 x 12 V batteries, 200 AH reserve capacity, 1300 CCA	■
Blade-type fuse panel	■
Main circuit breaker	■
Lights, work (LED): front (2), rear (2)	■
Lights, work (LED): front (4), rear (4)	●
Lights, work (LED): front (6), rear (6)	●
Lights, headlights (halogen) – hi/lo beams (2)	■
Lights, stop, tail & direction indicators	■
Horn	■
Rotating beacon	●
Hour meter	■
Engine restart prevention system	■
Rearview camera	■
Laptop service port	■
Self-diagnostics system	■

Cabin

Steel, all-weather & sound-suppressed	■
ROPS (ISO 3471)	■
FOPS (ISO 3449)	■
Front window with wiper/washer	■
Rear window with wiper	■
Tinted safety glass	■
Visor, retractable	■
Adjustable sliding side door window	■
Defrost, front window	■
Lockable doors	■
Seat	■
- Air suspension	■
- 2" (51 mm) seat belt	■
- Adjustable height & recline	■
- Adjustable fore/aft	■
- Adjustable armrests	■
3" (76 mm) seat belt	■
Control stands	■
- Height adjustable	■
- Fore/aft adjustable	■
Storage for operator's manuals	■
Mirror, interior rearview (1)	■
Mirror, exterior (2), heated	■
Mirror, exterior (2), heated (electronic adjustable)	●
Fully automatic HVAC with ambient temperature sensor	■
Smart Touch display	■
- 8" touch-enabled	■
- Adjustable height & angle	■
Transparent bucket	■
- Multi-camera system & controller	■
- In-cab display	■
AM/FM stereo with Bluetooth®	■
Speakers (2)	■
Antenna, roof-mounted	■
Emergency breakout tool	■
Hot/cold beverage compartment	■
Power socket, 12 V	■
Power socket, USB	■
Cup holder	■
Interior light	■
Coat hanger	■

Controls

Adjustable steering column	■
- Tilting	■
- Telescoping	■
Emergency secondary steering	●
Throttle pedal (accelerator)	■
Brake pedal, right	■
Brake pedal, left	●
Brake pedal transmission kick-out	■
Gear selector (FNR)	■
Joystick control	■
Fingertip control (3-lever)	●
Switches, console-mounted	■
- Starter (button)	■
- Parking brake	■
- Pilot cutoff	■
- Transmission cutoff	■
- Work light	■
- Reversible cooling fan	■
Emergency stop switch	■
Power mode (P, S, E)	■
Transmission mode (manual / auto 1-4 / auto 2-4)	■
Wiper control panel	■
Audio control panel	■

Display Monitor & Warnings

Buzzer	■
- Engine oil pressure	■
- Coolant temperature	■
- Transmission overheat	■
Gauges	■
- Fuel level	■
- DEF level	■
- Engine coolant temperature	■
- Transmission oil temperature	■
- Engine rpm	■
- Speedometer	■
- Transmission gear indicator	■
- Battery voltage	■
- ECO	■
- Smart guidance system	■
- Digital clock	■
- Trip meter	■
- Hour meter	■
- Total operation time	■
- Fuel consumption	■
Warning & indicator lights	■
- Seat belt	■
- Error code	■
- SCR warning	■
- Check engine	■
- Engine oil pressure	■
- Engine pre-heat engaged	■
- Radiator coolant level & temperature	■
- Air filter	■
- Fuel level	■
- DEF level – low	■
- Water in fuel	■
- Battery charge	■
- Direction signal	■
- Lights (high, main, work, beacon)	■
- Emergency steering	■
- Hydraulic oil temperature	■
- Hydraulic charge pressure warning	■
- Hydraulic pilot filter	■
- Hydraulic return filter	■
- Transmission mode	■
- Transmission warning	■
- Transmission lock-up	■
- Transmission oil temp	■
- Brake fluid pressure warning	■
- Reverse fan indicator	■
- Mirror heat indicator	■
- Parking brake indicator	■
Back-up alarm	■
Scale system, integrated smart scale	●
Rollover protection warning	■
Around view monitor (AVM)	●

Frame & Driveline

Z-bar lift arm	■
Z-bar lift arm, high-lift	●
Steering cylinder, double-acting (2)	■
Transmission – 4F/3R speed	■
- Full automatic – power shift	■
- Torque converter	■
Transmission – 5F/3R speed	●
- Automatic – power shift	●
- Torque converter lock-up clutch	●
Differentials	–
- Limited slip front/rear	–
Differentials	■
- Hydraulic locking front	■
- Open rear	■
Hydraulic power steering	■
Outboard planetary axles	■
Fixed front axle	■
Oscillating rear axle	■
Parking brake, spring-applied hydraulic release	■
Sealed, self-adjusting brakes	■
Tires, 29.5R25 L3 radial	■
Outboard brakes	■

Other

Centralized lubrication	■
Automatic lubrication system	● ²
Air compressor	●
Handrails, entrance & service steps	■
Handrails, roof-mounted	●
Skid-resistant entrance steps	■
Skid-resistant service platforms	■
Drawbar & pin	■
Wheel chocks	■
Rear fender, full	●
Additional counterweight	● ¹
Manuals	■
- Operation & Maintenance	■
- Parts	■
- AEM Safety Manual	■
DEVELON Fleet Management	■
Vandalism protection	■
- Lockable panels	■
- Lockable fluid fill points	■
- Anti-theft protection (password)	■

¹ Standard on high-lift models

² Dealer-installed only

Certain specification(s) are based on engineering calculations and are not actual measurements. Specification(s) are provided for comparison purposes only and are subject to change without notice. Specification(s) for your individual DEVELON equipment will vary based on normal variations in design, manufacturing, operating conditions, and other factors. Pictures of DEVELON units may show other than standard equipment.

Powered by Innovation

DEVELON

A brand of HD Hyundai Infracore.

na.develon-ce.com/dl550-7

DL550-7 Wheel Loader Spec Sheet
Printed in the U.S.A.
23906_003_D072723

©2023 HD Hyundai Infracore. All rights reserved.